

KL 1

Terminal Box

Aluminium



Product characteristics

- ▶ aluminium die cast case
- ▶ for connecting 2-wire submersible transmitters
- ▶ integrated pressure balance item
- ▶ overvoltage protection with nominal discharge current of 10 kA

The terminal box KL 1 is intended for the professional electrical connection of 2-wire transmitters.

It offers integrated atmospheric pressure compensation also overvoltage protection and can be used for BD|SENSORS transmitters.

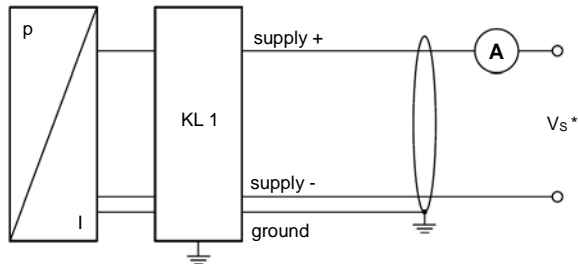
The terminal box KL 1 is equipped with a pressure balance item for equalization of atmospheric reference, therefore a cable without ventilation tube can be used on the supply side.

Vertical terminal clamps enable easy connection of cables inside. The terminal box has to be mounted with two fastening screws.



General specifications	
Number of signal lines	2-wire: 4 ... 20 mA
Housing	aluminium die cast case, grey powder-coating
Ingress protection	IP 66
Cable entries	cable gland: M16x1.5 Polyamide, seal NBR, IP 68, diameter range: standard Ø 5 ... 10 mm (others on request)
Atmospheric pressure compensation	pressure balance item with PTFE filter
Terminal clamps	vertical clamps for stranded and solid wires up to 2.5 mm ²
Weight	approx. 550 g
Overvoltage protection	
Series resistance	10 Ω for each wire
Nominal discharge current	20 kA (8/20 μs)
Max. rated current	30 mA

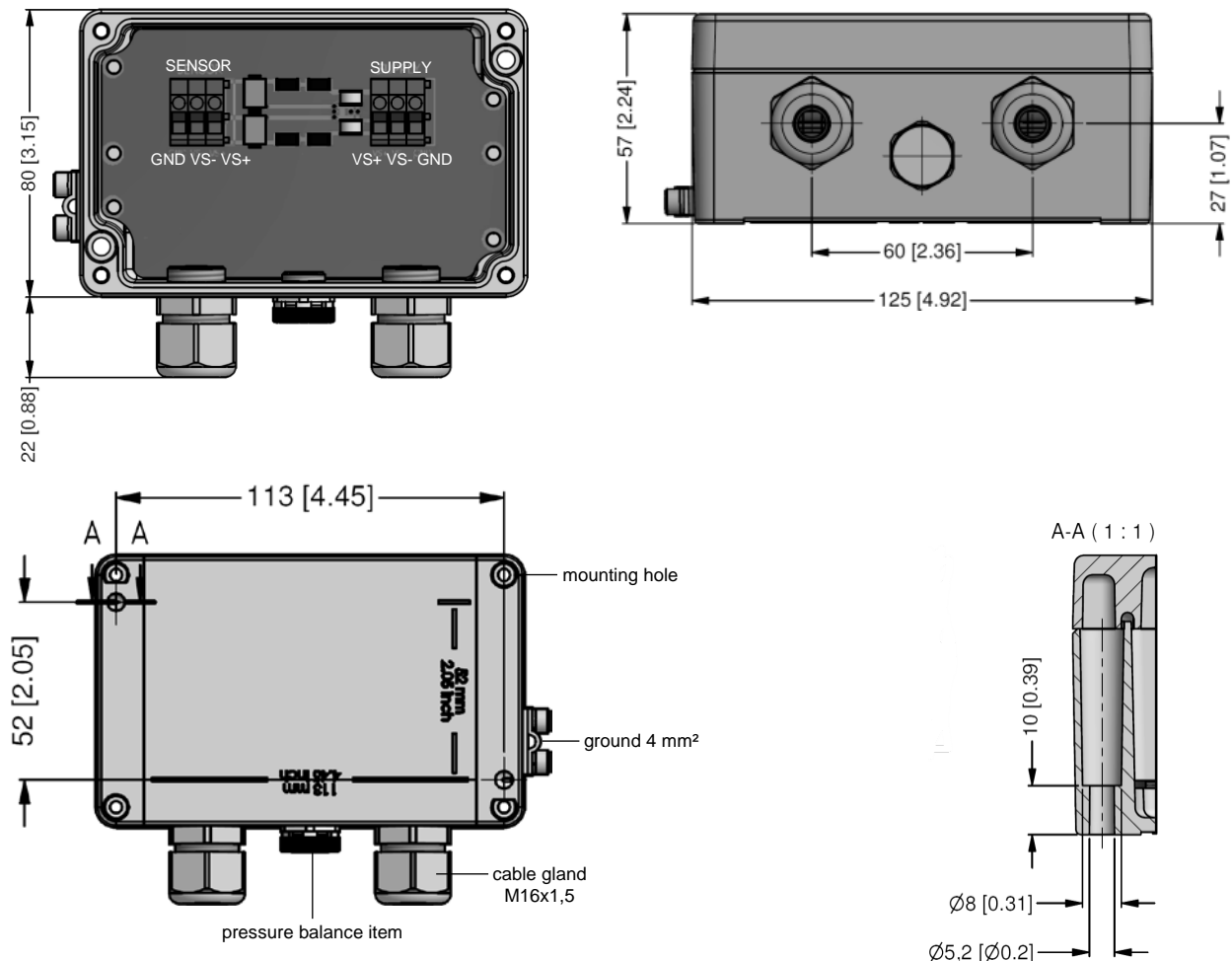
Wiring diagram



The ground wires of all components have to be connected!

* The supply VS has to be chosen according to needs of the used transmitter.

Dimensions (mm / in)



© 2018 BD|SENSORS GmbH – The specifications given in this document represent the state of engineering at the time of publishing. We reserve the right to make modifications to the specifications and materials.

Ordering code KL 1

KL 1 - ZB.601 -

--	--	--

 -

--	--	--

Version							
	standard	1	0	0			
	customer	9	9	9			consult
Special version							
	standard				0	0	0
	customer				9	9	9
							consult

